

# MP Tables

GEIGER

Right  ON SITE

Installation Principles

ROS-MPCN MP Conference Table - Non-Powered

1B9KH4

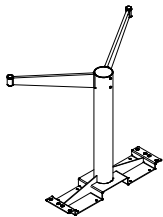
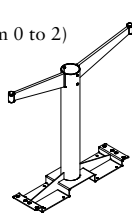
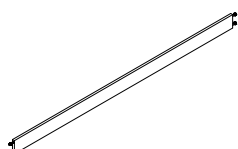
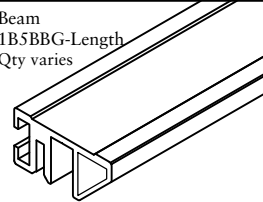

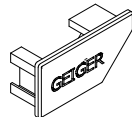
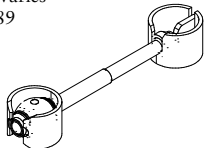


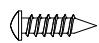
Note: Details apply, however the actual configuration of your table may vary from what is depicted here.

Parts List - Tables Tops not shown

### Tools Required

- o Installation drawing of table.
- o Cordless drill
- o Drill bits:
  - o #2 Robertson
  - o #3 Phillips
- o Rubber mallet
- o Utility knife for removal of packaging material
- o Tape Measure
- o 4 foot carpenters level

Caution: Handle table top sections carefully. Table edge and/or aluminum rim can be easily damaged.

<p>End Base (x2)</p> 	<p>Center Base (Qty varies from 0 to 2)</p> 	<p>Base Strut (Qty varies from 1 to 3)</p> 	<p>Beam 1B5BBG-Length Qty varies</p> 	<p>Left End Cap 1B59NW (x2)</p> 
<p>Right End Cap 1B59NV (x2)</p> 	<p>Tight Joint Fastener Qty varies 50189</p> 	<p>Biscuit Qty varies 53056</p> 	<p>1/4-20 x 3/4" Flat Head Machine Screw 1B5SVB (x8 per base)</p>  <p>Fastens base to beam</p>	<p>#8 x 1" Pan Head Wood Screw 51153 Qty varies</p>  <p>Fastens base &amp; beam to top</p>

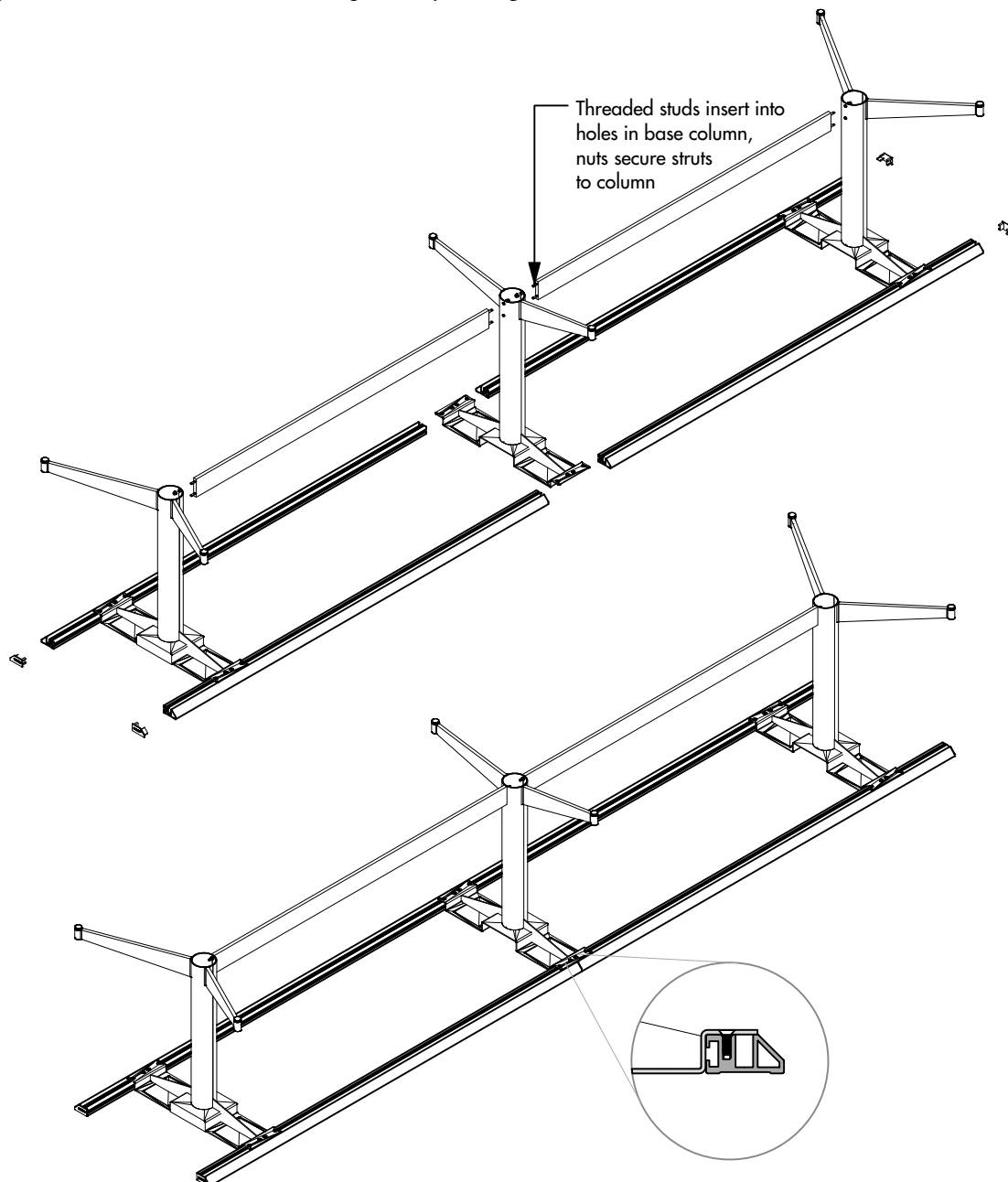
ROS-MPCN MP Conference Table - Non-Powered

1B9KH4

*Note: Details apply, however the actual configuration of your table may vary from what is depicted here.*

### 1. Install Structure

- A. Locate bases as shown with angled bases at ends pointing outward from center. They should be offset roughly the same distance as the length of the base struts.
- B. Remove nuts from struts and insert threaded studs at ends of base struts into holes in bases. Thread nuts from inside base columns onto each threaded stud and hand tighten.
- C. Slide beams under base flanges. If table requires two beams, beams should be centered on bases. If more than two beams are required, align beam ends centered under bases. Using (8x screw 1B5SVB) 1/4-20 x 3/4" machine screws per base, tightly fasten beams to bases. Fully tighten nuts that attach base struts to bases.
- D. Tap beam end caps onto beam ends.
- E. Flip table over, locate on floor as required by floor plan and level bases.



## ROS-MPCN MP Conference Table - Non-Powered

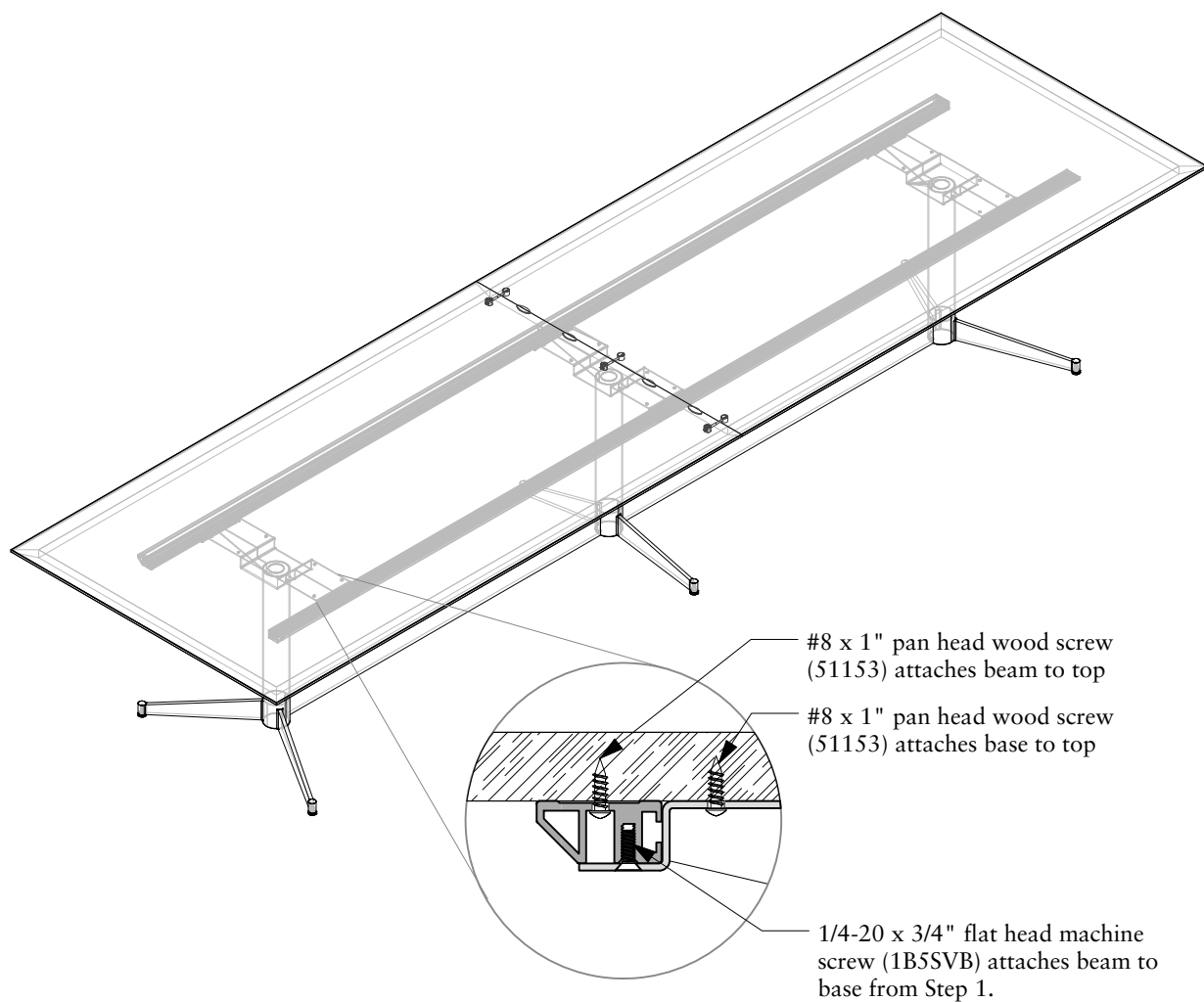
1B9KH4

*Note: Details apply, however the actual configuration of your table may vary from what is depicted here.*

### 2. Top Assembly

- A. Place tops on table structure.
- B. Insert Biscuits (#22) into slots at adjoining top seams.
- D. Align tops so that outside edges are flush.
- E. Join tops using tight joint fasteners insuring outside edges and top surfaces are flush.
- F. Center top assembly over structure assembly, measuring from outside edges to beams.
- G. Secure top to structure.

Use 51153 (#8 x 1" wood screw) to fasten bases to table top (8 per base) and to fasten beams to top through pilot holes in beams.



### ROS-MPCP MP Conference Table - Powered

1B9KH5

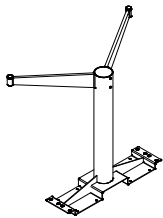
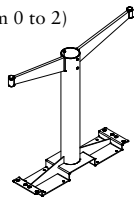
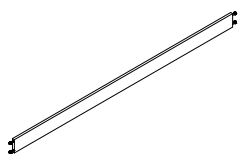
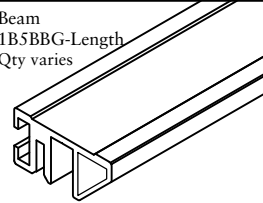
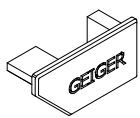
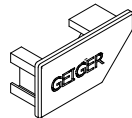
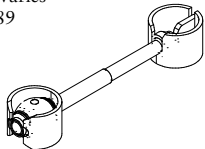
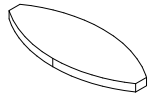

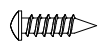
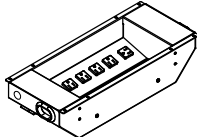
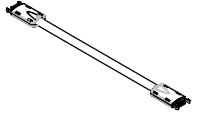
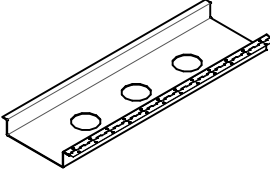
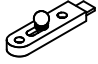

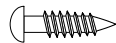

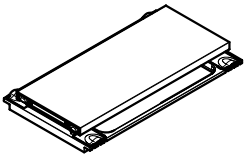

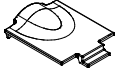
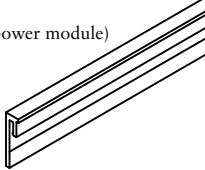
*Note: Details apply, however the actual configuration of your table may vary from what is depicted here.*

#### Parts List - Tables Tops not shown

#### Tools Required

- o Installation drawing of table.
- o Cordless drill
- o Drill bits:
  - o #2 Robertson
  - o #3 Phillips
- o Rubber mallet
- o Utility knife for removal of packaging material
- o Tape Measure
- o 4 foot carpenters level

*Caution: Handle table top sections carefully. Table edge and/or aluminum rim can be easily damaged.*

End Base (x2) 	Center Base (Qty varies from 0 to 2) 	Base Strut (Qty varies from 1 to 3) 	Beam 1B5BBG-Length Qty varies 	Left End Cap 1B59NW (x2) 
Right End Cap 1B59NV (x2) 	Tight Joint Fastener Qty varies 50189 	Biscuit Qty varies 53056 	1/4-20 x 3/4" Flat Head Machine Screw 1B5SVB (x8 per base)  Fastens base to beam	#8 x 1" Pan Head Wood Screw 51153 Qty varies  Fastens base & beam to top
Power Module Qty Varies 	Electrical Jumper  Not included for Chicago Code Power Modules	Wire Trough (Qty and size varies) 	Trough Latch 1B8F1H Qty varies 	#8 x 3/8" Sheet Metal Screw 1B3GRS (4 per power module)  Fastens power module to rim
#8 x 5/8" Wood Screw 51238 Qty varies  Fastens trough to top	#5 x 5/8" Wood Screw 50152 (2 per Latch)  Fastens Latch to top	Lid 	10-24 x 3/8" Machine Screw 1B41G0 (4 per power module)  Fastens lid to Rim	Screw Cap (4 per power module) 
Trim (2 per power module) 				

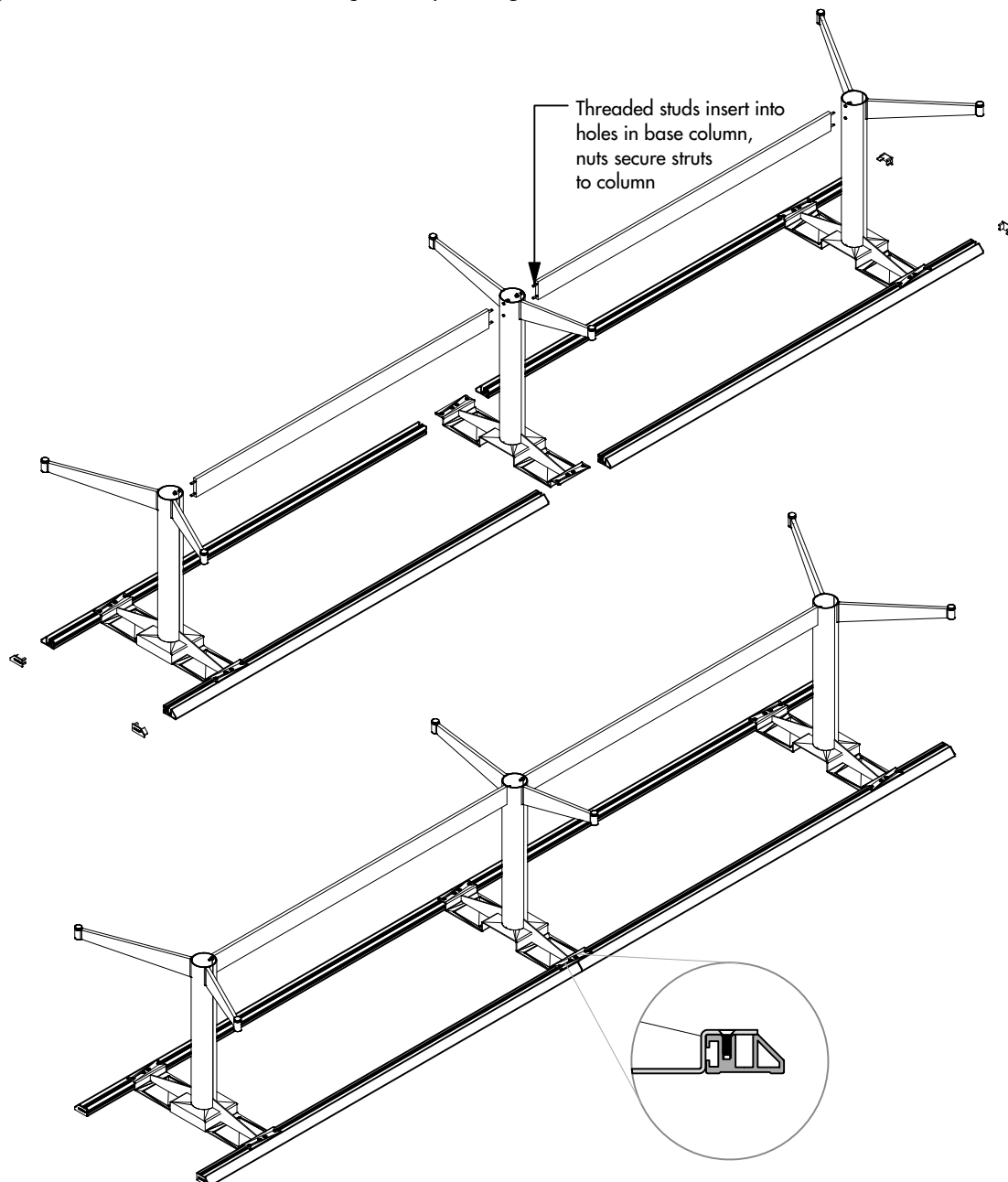
ROS-MPCP MP Conference Table - Powered

1B9KH5

*Note: Details apply, however the actual configuration of your table may vary from what is depicted here.*

### 1. Install Structure

- Locate bases as shown with angled bases at ends pointing outward from center. They should be offset roughly the same distance as the length of the base struts.
- Remove nuts from struts and insert threaded studs at ends of base struts into holes in bases. Thread nuts from inside base columns onto each threaded stud and hand tighten.
- Slide beams under base flanges. If table requires two beams, beams should be centered on bases. If more than two beams are required, align beam ends centered under bases. Using (8x screw 1B5SVB) 1/4-20 x 3/4" machine screws per base, tightly fasten beams to bases. Fully tighten nuts that attach base struts to bases.
- Tap beam end caps onto beam ends.
- Flip table over, locate on floor as required by floor plan and level bases.



## ROS-MPCP MP Conference Table - Powered

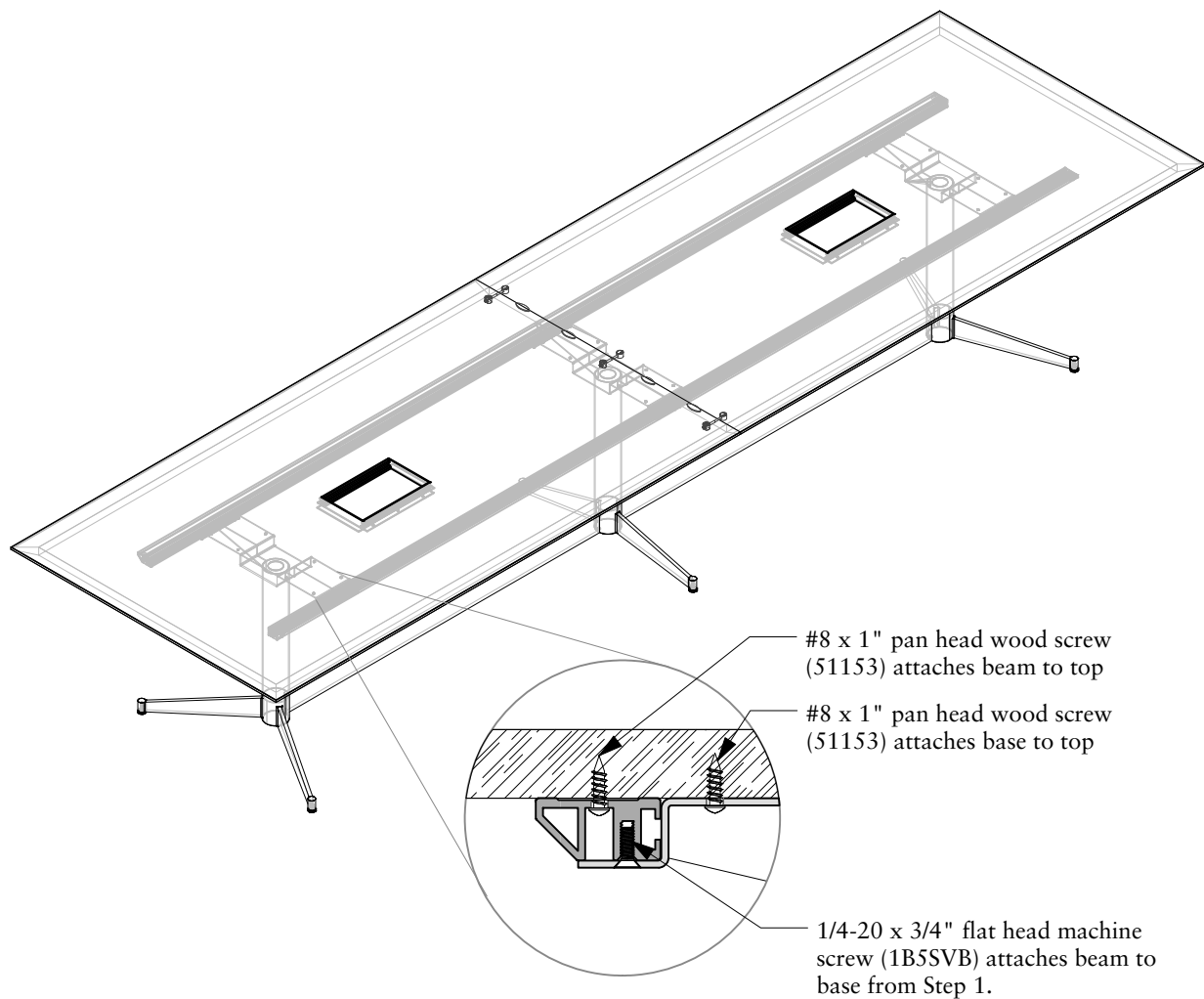
1B9KH5

*Note: Details apply, however the actual configuration of your table may vary from what is depicted here.*

### 2. Top Assembly

- A. Place tops on table structure.
- B. Insert Biscuits (#22) into slots at adjoining top seams.
- D. Align tops so that outside edges are flush.
- E. Join tops using tight joint fasteners insuring outside edges and top surfaces are flush.
- F. Center top assembly over structure assembly, measuring from outside edges to beams.
- G. Secure top to structure.

Use 51153 (#8 x 1" wood screw) to fasten bases to table top (8 per base) and to fasten beams to top through pilot holes in beams.



### ROS-MPCP MP Conference Table - Powered

1B9KH5

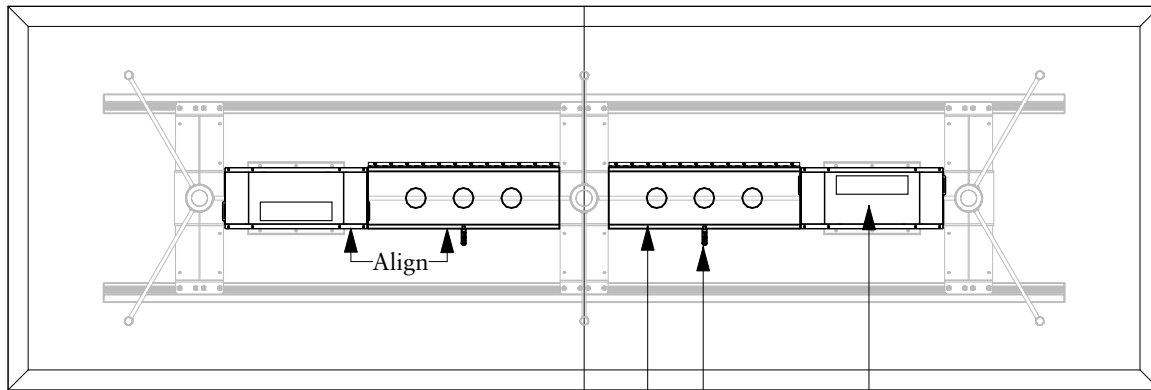
Note: Details apply, however the actual configuration of your table may vary from what is depicted here.

### 3. Trough Assembly

- Locate power modules centered on metal Rim extrusions on underside of cutouts in top. Make sure infeed cable is directed towards base and connecting whip faces towards center of table. Fasten to underside of Rim (see Detail A).
- Install troughs and trough latches between power modules. Refer to installation drawing of table for individual trough sizes and locations. Trough lip should align with power module lip.
- Install trough latches. Use one latch centered per trough that is 30" or less, two latches for troughs 36" or greater.
- Licensed electrician can now wire trough and interconnect power modules using electrical jumpers.

**(IMPORTANT: Connect Power Modules to Jumper Cables per illustration B.)**

View from underside of table



Power Module (attaches with four 1B3GRS #8 x 3/8" screws)

Trough Latch (1B8F1H), one required for troughs 30" and less, two for 36" or greater. (Installs with two 50152 #5 x 5/8" screws per latch).

Trough on piano hinge (installs with up to six 51238 #8 x 5/8" wood screws)

Detail A  
Elevation View  
looking down trough

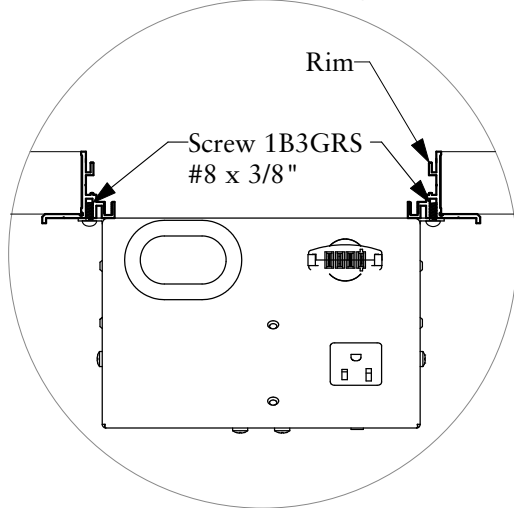
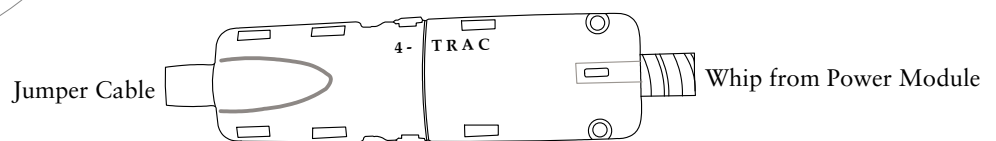


Illustration B



Join jumper cable to power module whip such that "4 -" text on jumper cable aligns with "T R A C" text on power module whip

ROS-MPCP MP Conference Table - Powered

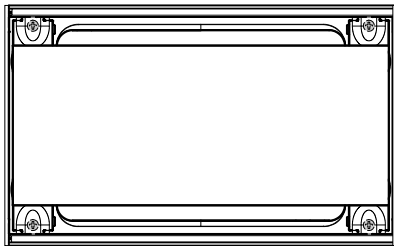
1B9KH5

*Note: Details apply, however the actual configuration of your table may vary from what is depicted here.*

#### 4. Lid Assembly

- A. Locate each Hinge Assembly centered over each power module cutout. Fasten to Rim as shown in Details A and B.
- B. Snap on screw caps over each screw of Hinge Assembly.
- C. Snap Trim onto Rim as shown in Detail B.

Detail A, assembly top view



Detail B

